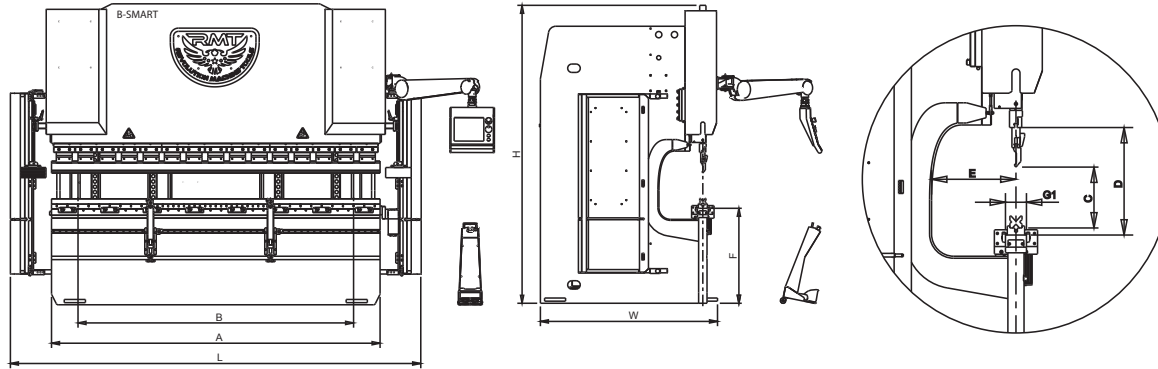




# B-SMART SERIES PRESS BRAKES



B-SMART SERIES	STANDARD MACHINE CHARACTERISTICS											RAM SPEEDS PROGRAMMABLE				BACK GAUGE SYSTEM					MACHINE DIMENSIONS					
	BENDING FORCE METRIC	BENDING LENGTH	DISTANCE BETWEEN FRAMES	RAM STROKE	DAYLIGHT	THROAT DEPTH	BED HEIGHT	BED CAP WIDTH (STANDARD)	BED CAP WIDTH (OPTIONAL)	SLIDING FRONT SUPPORT ARMS	MOTOR POWER	OIL TANK CAPACITY	Y-AXIS APPROACH SPEED	Y-AXIS FORMING SPEED	DECOMPRESSION	Y-AXIS RETURN SPEED	X-AXIS SPEED	X-AXIS TRAVEL	3RD GAUGEABLE FINGER POSITION	R-AXIS MAX. SPEED	R-AXIS TRAVEL	# BACKGAUGE FINGER BLOCKS	LENGTH	WIDTH	HEIGHT	APPROX. WEIGHT
	(US) Tons	A Feet	B Feet	C Inch	D Inch	E Inch	F Inch	G1 Inch	G2 Inch	QTY	HP	Gal	Prog. I.P.M.	Prog. I.P.M.	Prog. I.P.M.	Prog. I.P.M.	Prog. I.P.M.	Prog. Inch	Opt. Inch	Opt. I.P.M.	Opt. Inch	QTY	L Inch	W Inch	H Inch	lbs
B-SMART 6-70	70	6'10"	5'6"	11"	20.9"	16.5"	35.6"	4"	7"	2	10	37	94-472	0-24	0-24	52-260	5-1890	32.3"	41.7"	5-378	10.2"	2	126"	47"	94"	7,275
B-SMART 8-110	110	8'6"	6'10"	11"	20.9"	16.5"	35.6"	4"	7"	2	15	37	85-425	0-24	0-24	57-283	5-1890	32.3"	41.7"	5-378	10.2"	2	133"	66"	112"	19,070
B-SMART 10-110	110	10'2"	8'6"	11"	20.9"	16.5"	35.6"	4"	7"	2	15	37	85-425	0-24	0-24	57-283	5-1890	32.3"	41.7"	5-378	10.2"	2	153"	66"	112"	20,944
B-SMART 10-150	150	10'2"	8'6"	11"	20.9"	16.5"	35.6"	4"	7"	2	20	37	76-378	0-24	0-24	57-283	5-1890	32.3"	41.7"	5-378	10.2"	2	157"	69"	112"	24,030
B-SMART 10-200	200	10'2"	8'6"	11"	20.9"	16.5"	35.6"	4"	10"	2	25	58	66-331	0-21	0-21	47-236	5-1890	32.3"	41.7"	5-378	10.2"	2	157"	67"	115"	25,684
B-SMART 12-200	200	12'2"	10'5"	11"	20.9"	16.5"	35.6"	4"	10"	2	25	58	66-331	0-21	0-21	47-236	5-1890	32.3"	41.7"	5-378	10.2"	2	181"	67"	115"	29,211
B-SMART 13-200	200	13'5"	11'9"	11"	20.9"	16.5"	35.6"	4"	10"	2	25	58	66-331	0-21	0-21	47-236	5-1890	32.3"	41.7"	5-378	10.2"	2	197"	67"	115"	29,432
B-SMART 14-200	200	14'1"	12'5"	11"	20.9"	16.5"	35.6"	4"	10"	2	25	58	66-331	0-21	0-21	47-236	5-1890	32.3"	41.7"	5-378	10.2"	2	205"	67"	115"	30,754
B-SMART 10-250	250	10'2"	8'6"	11"	20.9"	16.5"	35.6"	4"	10"	2	30	58	57-283	0-20	0-20	54-272	5-1890	32.3"	41.7"	5-378	10.2"	2	159"	67"	118"	28,109
B-SMART 12-250	250	12'2"	10'5"	11"	20.9"	16.5"	35.6"	4"	10"	2	30	58	57-283	0-20	0-20	54-272	5-1890	32.3"	41.7"	5-378	10.2"	2	183"	67"	118"	32,298
B-SMART 13-250	250	13'5"	11'9"	11"	20.9"	16.5"	35.6"	4"	10"	2	30	58	57-283	0-20	0-20	54-272	5-1890	32.3"	41.7"	5-378	10.2"	2	198"	67"	118"	33,841
B-SMART 14-250	250	14'1"	12'5"	11"	20.9"	16.5"	35.6"	4"	10"	2	30	58	57-283	0-20	0-20	54-272	5-1890	32.3"	41.7"	5-378	10.2"	2	206"	67"	118"	34,282
B-SMART 20-250	250	20'0"	16'8"	11"	20.9"	16.5"	43.3"	6"	12"	4	30	79	47-236	0-20	0-20	54-272	5-1181	32.3"	41.7"	5-283	10.2"	4	277"	67"	130"	47,179
B-SMART 10-350	350	10'2"	8'6"	15"	24.8"	20.1"	35.6"	6"	12"	2	40	79	47-236	0-19	0-19	45-224	5-1890	32.3"	41.7"	5-378	10.2"	2	156"	81"	127"	39,683
B-SMART 12-350	350	12'2"	10'5"	15"	24.8"	20.1"	35.6"	6"	12"	2	40	79	47-236	0-19	0-19	45-224	5-1890	32.3"	41.7"	5-378	10.2"	2	179"	81"	127"	44,754
B-SMART 13-350	350	13'5"	11'9"	15"	24.8"	20.1"	35.6"	6"	12"	2	40	79	47-236	0-19	0-19	45-224	5-1890	32.3"	41.7"	5-378	10.2"	2	195"	81"	127"	47,730
B-SMART 14-350	350	14'1"	12'5"	15"	24.8"	20.1"	35.6"	6"	12"	2	40	79	47-236	0-19	0-19	45-224	5-1890	32.3"	41.7"	5-378	10.2"	2	203"	81"	127"	49,428
B-SMART 20-350	350	20'0"	16'8"	15"	24.8"	20.1"	43.3"	6"	12"	4	40	95	43-213	0-19	0-19	45-224	5-1181	32.3"	41.7"	5-283	10.2"	4	274"	81"	135"	65,147
B-SMART 12-420	420	12'2"	10'0"	15"	24.8"	20.1"	41.3"	6"	12"	2	50	119	47-236	0-19	0-19	43-213	5-1181	40.2"	49.6"	5-283	10.2"	2	181"	85"	140"	55,116
B-SMART 14-420	420	14'1"	12'3"	15"	24.8"	20.1"	41.3"	6"	12"	2	50	119	47-236	0-19	0-19	43-213	5-1181	40.2"	49.6"	5-283	10.2"	2	205"	85"	140"	61,289
B-SMART 13-500	500	13'5"	11'5"	15"	24.8"	20.1"	41.3"	6"	12"	2	50	119	47-236	0-18	0-18	38-189	5-1181	40.2"	49.6"	5-283	10.2"	2	203"	89"	146"	62,744
B-SMART 14-500	500	14'1"	12'2"	15"	24.8"	20.1"	41.3"	6"	12"	2	50	119	43-213	0-18	0-18	38-189	5-1181	40.2"	49.6"	5-283	10.2"	2	211"	89"	146"	65,257
B-SMART 20-500	500	20'0"	16'4"	15"	24.8"	20.1"	47.2"	6"	12"	4	50	132	43-213	0-18	0-18	38-189	5-1181	40.2"	49.6"	5-283	10.2"	4	283"	89"	152"	89,067